

S25 SPRAY-PRO PUSH SPRAYER

ASSEMBLY and OPERATING INSTRUCTIONS

EarthWay
SPRAY-PRO

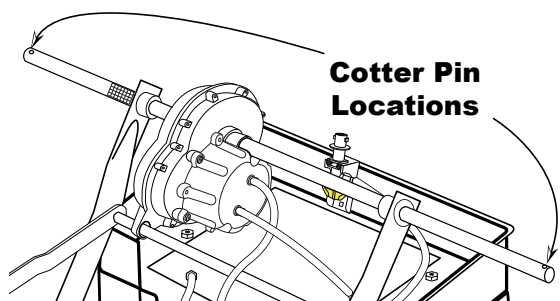
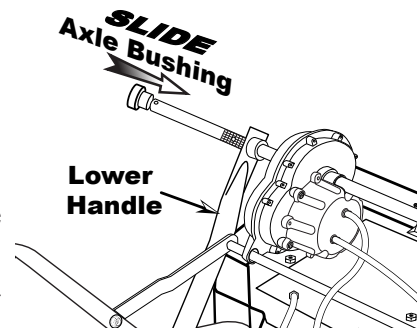
Congratulations on the purchase of this new sprayer from Earthway Products, Inc. Please call us if you have any difficulty with assembly or operation of this sprayer. We can be reached via the telephone at 800-294-0671 or 574-848-7491, Monday - Friday 9:00am ~ 4:00pm or visit us online at www.earthway.com This sprayer comes with *lifetime technical support*, email us at techsupport@earthway.com.

HELPFUL HINTS: READ THE DIRECTIONS BEFORE ASSEMBLY

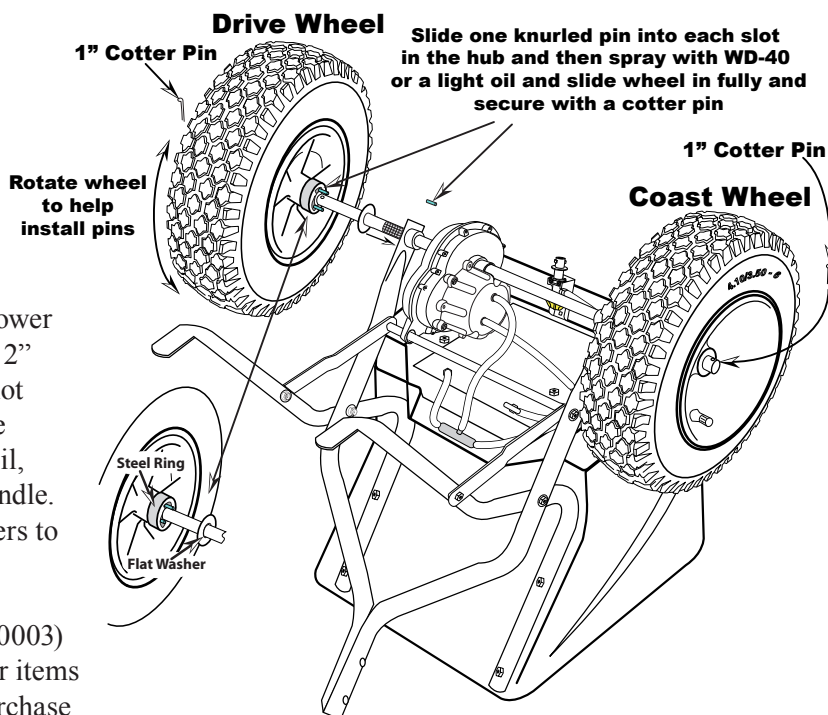
THIS SPRAYER COMES PARTIALLY ASSEMBLED, REQUIRING YOU TO INSTALL THE WHEELS, HANDLE ASSEMBLY, SPRAY GUN HOLDER, AND CONTROL ROD. IT SHOULD TAKE APPROXIMATELY 15 MINUTES WITH THE USE OF TWO 7/16" WRENCHES AND 1 PAIR OF PLIERS.

- ☑ Your sprayer is designed to be pushed at *three miles per hour*, which is a brisk walking speed. Slower or faster speeds will change the spray patterns and output volumes that you will achieve.
- ☑ Clean your sprayer tank thoroughly after each use. Wash with clean water and push sprayer several feet to evacuate any residual materials until you see clean water. Do this in a safe area as described in the chemical supplier directions.
- ☑ Gears are permanently lubricated at the factory. Do not open the gearbox or dirt may enter.
- ☑ Check all hose connections regularly to ensure they remain tight.
- ☑ If unit fails to spray on initial use, or leaks from the nozzle, remove the cap from the top of the DCV, wipe off the top of DCV body to remove any debris, and then replace the cap and tighten.
- ☑ Coat all metal surfaces (inside & outside of chassis) with light oil or silicon spray to help prevent corrosion.
- ☑ **When the tank is empty, PULL THE SPRAYER BACKWARD to the designated cleaning or storage area to prevent damage that can occur with a dry pump.** ⚠

1. Open carton and remove the Handles, Control Rod, Hardware pack, Wheels, and the S25 from carton.
2. Turn the S25 upside-down on to the tank.
3. Ensure that the Axle Bearings are pushed into the Axle Bushing on both sides as shown at the right. Install the Coast wheel (this wheel does not have the steel ring on the inside hub as shown below) on to axle using the cotter pin hole closest to edge of the axle. Insert 1" cotter pin through the axle and bend with pliers to prevent pin from falling out.



4. Install the flat washer onto the axle and slide to the lower handle. Next, position the drive wheel onto the axle 2" and install the three (3) knurled pins one into each slot located between the hub and the axle as shown at the right, coat the knurled pins with WD-40 or a light oil, finish by sliding the wheel tight against the lower handle. Now insert 1" cotter pin through axle, bend with pliers to prevent cotter pin from falling out.

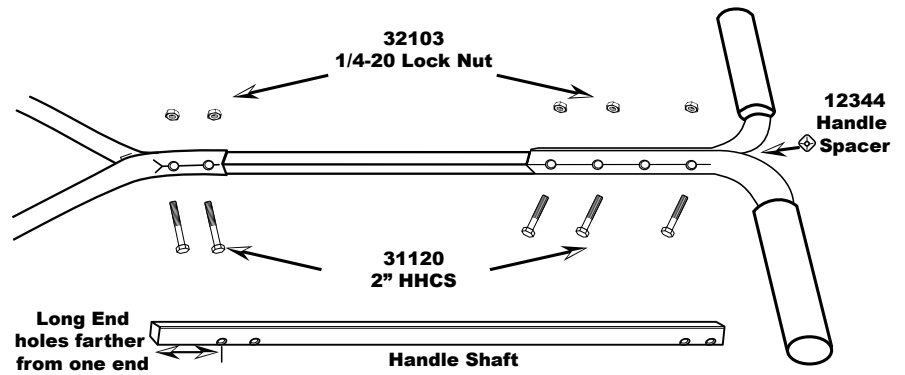


NOTE: Included is extra set of Knurled Pins (S25-30003) which should be saved for future use. These are wear items and will need to be replaced, and are available to purchase directly through our Parts department.

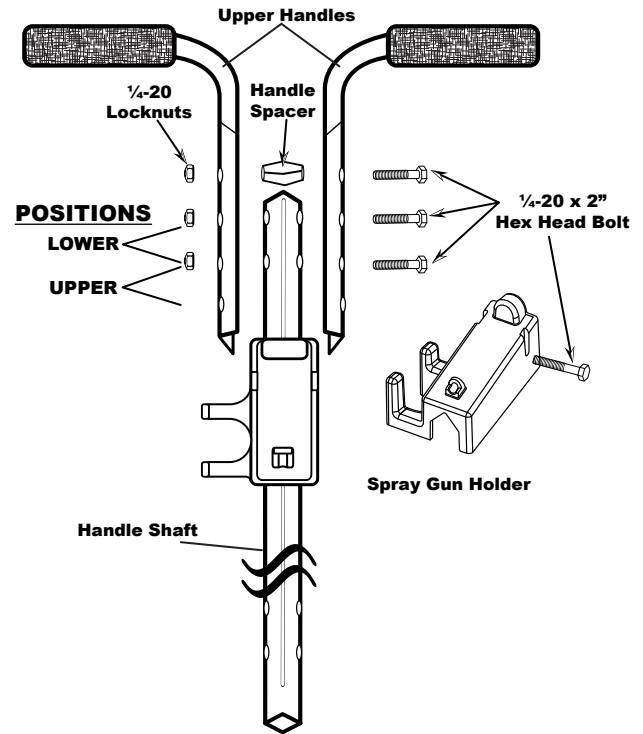
5. Install handle shaft to lower handles as shown. Using 2" bolts and locknuts.

Make sure that you install the handle shaft with the long end facing toward the sprayer.

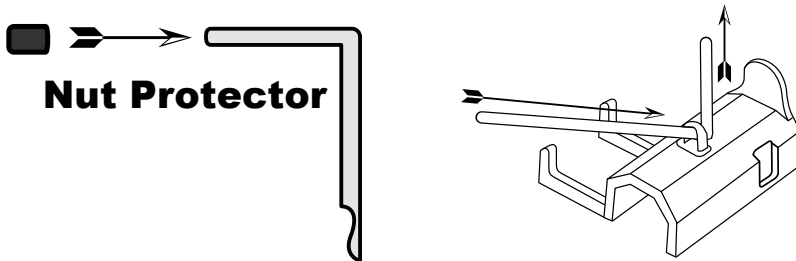
TIGHTEN BOLTS AND NUTS NOW.



6. **NOTE:** Before installing the Gun Holder and Upper Handles to the Handle Shaft, the Upper Handles have (3) three positions for operators comfort. If operator chooses the middle or upper positions, please use the Handle Spacer. Install the Handle Spacer in hole nearest the handle grips as shown to the right. Insert 2" bolt through Upper Handle, then through Handle Spacer and then through other Upper Handle, then secure loosely 1/4-20 locknut. Now install one 2" bolt, so that it goes through the top hole in the handle shaft and secure with 1/4-20 locknut. **TIGHTEN BOLTS AND NUTS NOW.**



7. Install Control Rod into the Gun Holder as shown below. Next install black nut protector to the short leg on Control Rod.

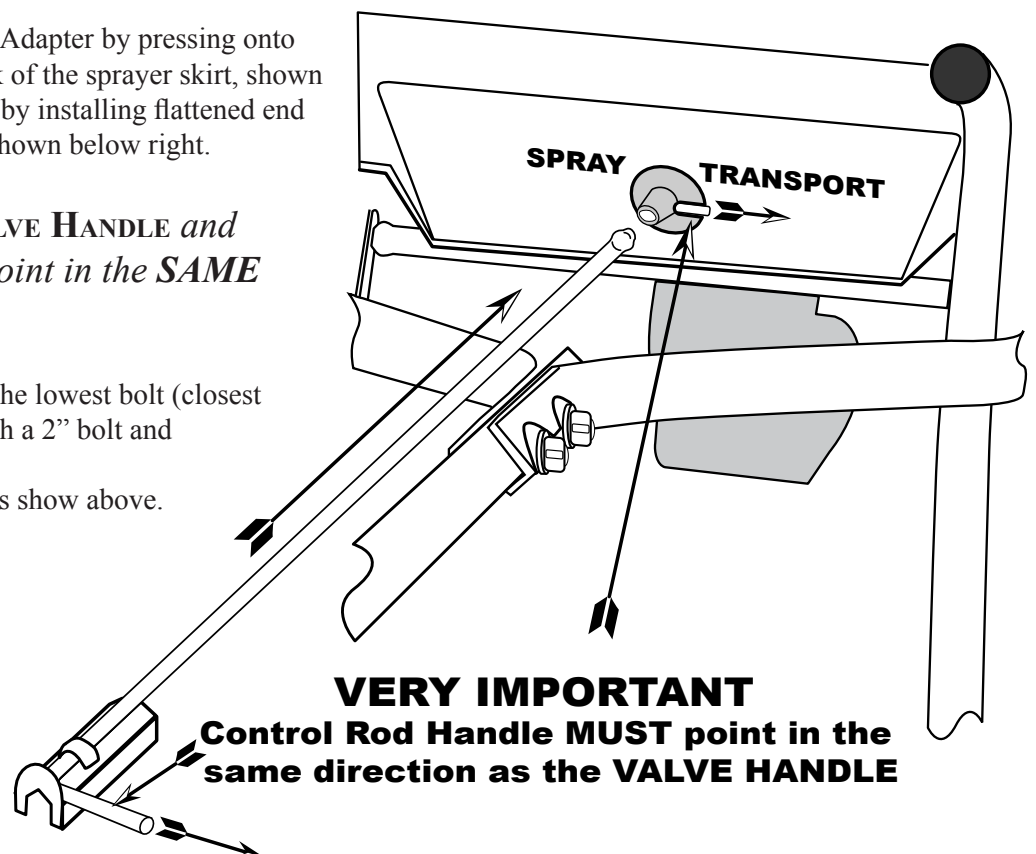


8. **Next,** Install Control Rod into Valve Adapter by pressing onto the Valve Adapter located at the back of the sprayer skirt, shown below right. Install the Control Rod by installing flattened end of Control Rod into Valve Adapter, shown below right.

NOTE: *Make sure that the VALVE HANDLE and the CONTROL ROD HANDLE point in the SAME DIRECTION.*

Finally, install the Gun Holder onto the lowest bolt (closest to the sprayer TANK) and secure with a 2" bolt and locknut.

Be sure to position the Gun Holder as show above. **TIGHTEN NOW.**



5-YEAR LIMITED WARRANTY

Earthway Products, Inc. warrants this product free of defects in original workmanship and materials for a period of 5-years to the end user with the original purchase receipt. If a manufacturing non-conformance is found, Earthway Products, Inc. at its discretion will repair or replace the part(s) or product at no charge provided the failure is not the result of incorrect installation, mishandling, misuse, tampering, or normal wear and tear as determined by Earthway. Earthway at its discretion may require that the part(s) or product be returned along with the original purchase receipt at owners' expense for examination and compliance with the terms of this warranty. Do not return any product without first receiving authorization from Earthway Products, Inc. To seek remedy under this warranty, contact Earthway Products, Inc. at 574-848-7491, techsupport@earthway.com or write to Earthway Products, Inc. P.O. Box 547 Bristol, Indiana 46507 and describe the nature of the manufacturing defect.

SPECIFIC LIMITATIONS: This warranty covers only the part(s) or product; any labor charges associated with repair or replacement of non-conformances are specifically excluded. Due to the corrosive nature of most fertilizers and ice melt products, Earthway Products, Inc. makes no warranty against and specifically excludes part(s) or product degradation or failure due to corrosion or its effects. ***Clean and dry*** your sprayer thoroughly after each use, as a preventative measure, coat all metal parts (inside and outside of the tubing) with a light oil or silicon spray.

For Support for your S25, please contact:

NORTH AMERICA



Earthway Products, Inc.

P.O. Box 547
1009 Maple Street
Bristol, IN 46507
T: 574-848-7491
T: 800-294-0671
E: techsupport@earthway.com
W: www.earthway.com

EUROPE



DMMP Limited

T: 0845 643 9776
E: info@dmmp.co.uk
W: www.earthway.co.uk



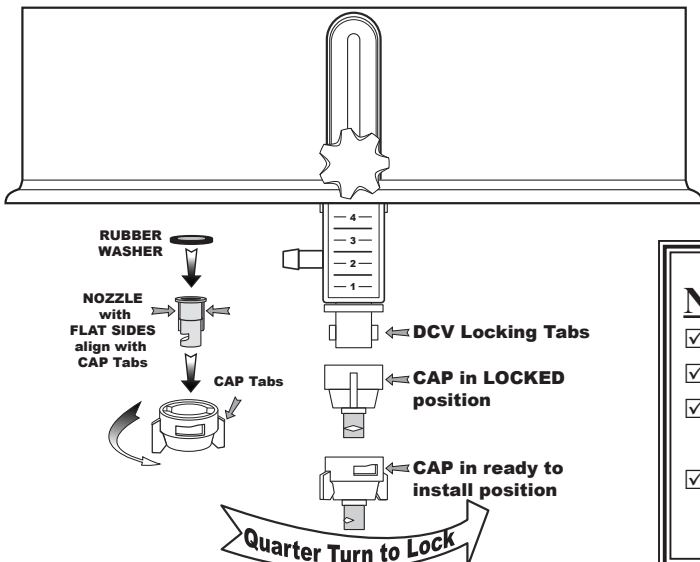
Muggioli Giardinaggio

T: 0422 96 9990
E: info@muggioliardinaggio.com
W: www.muggioliardinaggio.com



EuroAmerica

T: +31 (035) 5315696
E: product-management@euroamerica.nl
W: www.euroamerica.nl

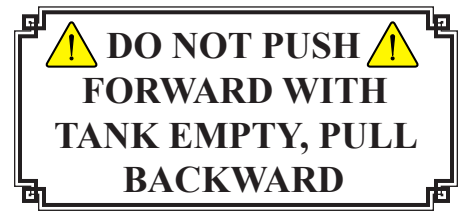


Nozzle Installation

- To remove turn Cap from right to left
- Push Nozzle out of the Cap and remove rubber washer.
- Install Nozzle aligning the flat sides with the Cap tabs and reinstall rubber washer.
- To install the assembly, align the Cap slot with DCV locking tabs and push onto DCV and turn left to right to lock.

How to use your S25 Sprayer

The S25 SPRAY-PRO sprayer is designed to be simple to use, easy on the operator and provide years of accurate spraying. The S25 is the latest development from Earthway Products, Inc., a world leaders in the manufacture of broadcast spreaders, seeding tools, and sprayers.



Calibration

The S25 is supplied with three different nozzle options. The table below shows the characteristics and performance of the supplied nozzle options at the eight different height setting of the DCV holder. **Other Turbo Floodjet® are nozzles available from a TeeJet Dealer** if additional application rates are required. You can download a new Spray Rate Chart at www.earthway.com.

Before use

Before using any liquid products always read thoroughly the manufacturers product label, to ensure correct dosage and proper handling of the product being applied through the applicator. **Use the correct Safety Equipment as directed by the chemical manufacturer.**

- Check that the applicator has been thoroughly cleaned from its previous use and that both the nozzle outlet and the handgun line (if included) have been washed through.
- Always spray on a day where wind is minimal. It can be unsafe and inaccurate if spraying is undertaken in windy conditions.
- Always wear appropriate safety clothing when the sprayer is being used.** Refer to manufacturers instructions, or contact your supplier of the product being applied for safety recommendations.
- Make sure the tires are properly inflated to 20 psi.

S25 Mark III		Application Coverage - OUNCES/SQUARE FOOT										OUNCES/1,000 SQUARE FEET (1K ²)	
Spray width in Inches	DCV Setting Position Height	OTHER Turbo Floodjet® Nozzles				FINE SPRAY		MEDIUM SPRAY		COARSE SPRAY		SPRAY RATE	SPRAY RATE
		#4 White Nozzle Output		#7.5 Green Nozzle Output		#3 Gray Nozzle Output		#5 Blue Nozzle Output		#10 Black Nozzle Output			
		SPRAY RATE	SPRAY RATE	SPRAY RATE	SPRAY RATE	SPRAY RATE	SPRAY RATE	SPRAY RATE	SPRAY RATE				
		OZ/SQ FT	OZ/1K ²	OZ/SQ FT	OZ/1K ²	OZ/SQ FT	OZ/1K ²	OZ/SQ FT	OZ/1K ²	OZ/SQ FT	OZ/1K ²	OZ/SQ FT	OZ/1K ²
60	1	0.10	97.7	0.11	113.6	0.07	72.7	0.11	105.3	0.12	115.2		
58	1.5	0.10	101.1	0.12	117.6	0.08	75.2	0.11	108.9	0.12	119.1		
54	2	0.11	108.6	0.13	126.3	0.08	80.8	0.12	117.0	0.13	127.9		
50	2.5	0.12	117.3	0.14	136.4	0.09	87.3	0.13	126.4	0.14	138.2		
44	3	0.13	133.3	0.15	155.0	0.10	99.2	0.14	143.6	0.16	157.0		
43	3.5	0.14	136.4	0.16	158.6	0.10	101.5	0.15	146.9	0.16	160.7		
39	4	0.15	150.4	0.17	174.8	0.11	111.9	0.16	162.0	0.18	177.2		
36	4.5	0.16	162.9	0.19	189.4	0.12	121.2	0.18	175.5	0.19	191.9		

S25 Mark III		Application Coverage - GALLONS/1,000 SQUARE FEET											
Spray width in Inches	DCV Setting Position Height	OTHER Turbo Floodjet® Nozzles				FINE SPRAY		MEDIUM SPRAY		COARSE SPRAY		SPRAY RATE	SPRAY RATE
		#4 White Nozzle Output		#7.5 Green Nozzle Output		#3 Gray Nozzle Output		#5 Blue Nozzle Output		#10 Black Nozzle Output			
		GAL/1000 Square Feet	GAL/1000 Square Feet	GAL/1000 Square Feet	GAL/1000 Square Feet	GAL/1000 Square Feet	GAL/1000 Square Feet	GAL/1000 Square Feet	GAL/1000 Square Feet				
60	1	0.76	0.89	0.57	0.82	0.90							
58	1.5	0.79	0.92	0.59	0.85	0.93							
54	2	0.85	0.99	0.63	0.91	1.00							
50	2.5	0.92	1.07	0.68	0.99	1.08							
44	3	1.04	1.21	0.77	1.12	1.23							
43	3.5	1.07	1.24	0.79	1.15	1.26							
39	4	1.17	1.37	0.87	1.27	1.38							
36	4.5	1.27	1.48	0.95	1.37	1.50							

How to use ~ Walk behind spraying

Practice before use

It is recommended for first time users of the machine that the user familiarizes him/her self with the workings of the sprayer. By simply putting water in the spray tank and spraying it out onto a dry tarmac surface the operator will very quickly familiarize themselves with the workings of the machine. Make sure the spray tank is then emptied of water before further use. Make sure the handlebar is set right for the size of the operator. There are three position options on the upper handle for different user heights. By having the handle in the correct position for the individual user it will make pushing the machine simpler and make spray accuracy easier to achieve.

- Choose the correct nozzle of the three nozzle options that is suitable for the product being applied. (See calibration chart above)
- Ensure the Spray (ON) / Transport (OFF) lever on the handlebar is in the Transport position. The Transport position is with the lever over to the right side when standing behind the handlebars of the machine.
- Make sure the tank is clean and there is no chance of remnants or deposits from a previous spray task being left in the tank.
- With the tank clean fill the tank with the required volume of liquid for the designated spray task, making sure the product being used is mixed and being applied in accordance with the manufacturers instructions.
- With the control lever is in the Transport (closed position) the machine can be safely pushed to the area where spraying is to be carried out.
- Locate the sprayer at the point at which spraying needs to commence. Lift the machine up off the two feet, so the body of the machine is parallel with the ground (important see drawing on next page). To spray simply roll the control lever (ON/OFF) over to the left side (SPRAY POSITION), and walk forward at a brisk walking speed 2 to 3 MPH is recommended.
- To stop the spray roll the ON/OFF lever back to the right side (TRANSPORT POSITION). **NOTE:** When the Spray/Transport lever is to the right side (TRANSPORT POSITION) and the machine is being pushed, the pump is pumping liquid out of the tank and circulating it back into the tank. This circulation provides agitation and helps keep liquids that are mixed with water in suspension while walking the sprayer to and from the area being treated.

For best results keep enough liquid in the tank to ensure the pump supply line remains filled. Hills and rough ground can create a "wave effect" in the tank that will cause the pump to have an inconsistent spray or to lose prime. If this occurs, turn the control lever to TRANSPORT and push a few feet to re-establish the prime and continue from where you stopped.

How to use the S25 Sprayer - continued

When Tank is empty, pull the S25 backwards to prevent and damage to the pump.

Technical spray information and how to ensure accuracy

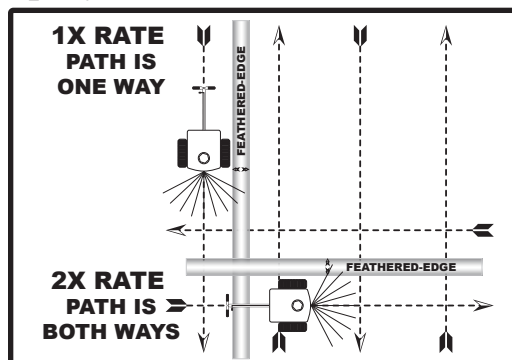
The S25 SPRAY-PRO Mark III has an adjustable height nozzle that offers a spray width from approximately 3 feet/.9 meters to 5 feet / 1.5 meters.

Spray Width Adjustment

You can adjust the spray width of the S25, which will change the application coverage, by moving the Adjustable DCV holder up or down. To use, loosen the knob located on the front of the skirt, and slide the DCV & Nozzle assembly up/down to the desired spray width or to a position indicated on the Application Chart on the previous page, then tighten knob.

The SPRAY-PRO Teejet TF nozzles are designed to “feather” at the edges to allow the second pass to “feather in,” and so provide uniform coverage. The area of “feather” or overlap, is approximately 15% of the spray width at the edges, for a total of 30% over the two edges/ends of the spray pattern. To maximize uniform coverage the second pass over the area should allow for the 15% “feather” or overlap.

Spray Pattern

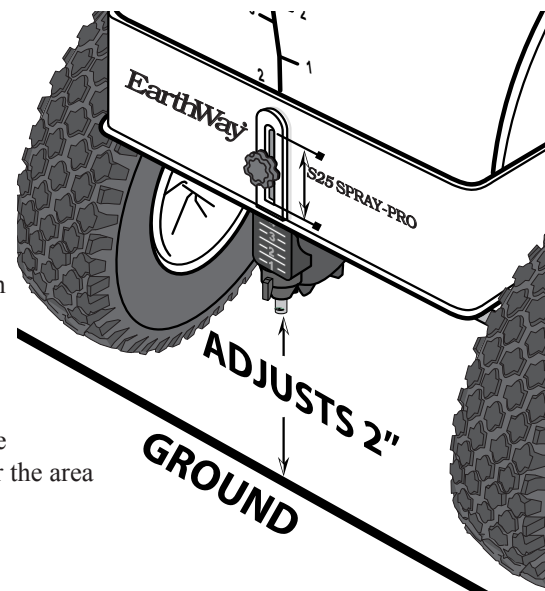


Most applications will only require one pass of up/back (1X Rate). When higher application rates are required a cross pattern (2X Rate) as shown above should be used.

After use

1. Empty any unused contents out of the spray tank. The S25 SPRAY-PRO tank has been designed to easily empty and clean. **Dispose of the tank contents and all washings in accordance with the manufacturer's disposal instructions on the product that has been used.**
2. Wash out the tank thoroughly using clean water and or a preparatory tank cleaner. Make sure that the nozzle and spray gun (if included) are thoroughly washed as well. To wash through the pipework to the spray nozzle, add an additional 1/2 gallon or 2 liters of clean water to the tank and wash this through the nozzle by pushing the sprayer over a safe area for the purpose of disposal of washings.
3. Empty all water out of the sprayer making sure no water is left in the pump over winter - do not allow to freeze, unless you have setup the S25 to operate in freezing temperatures using an Ice Melt or snow pre-treatments.

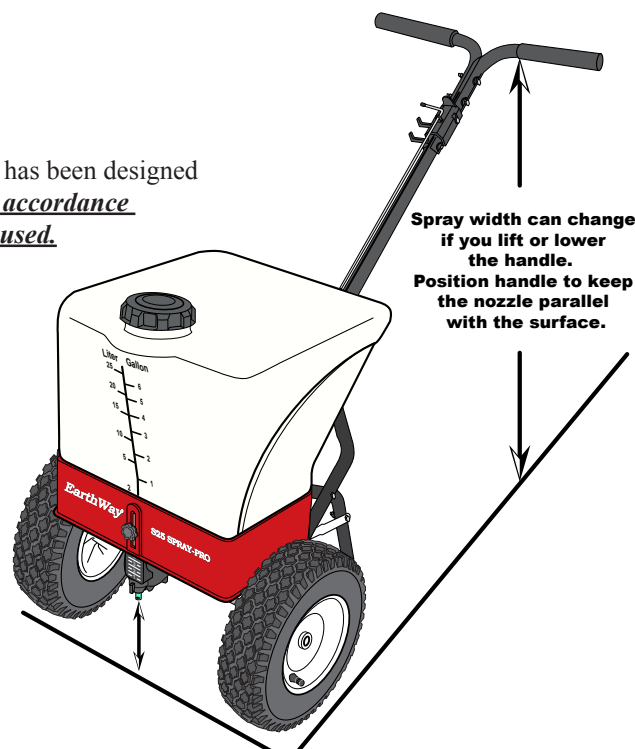
Maintain the wheel knurled pins regularly by cleaning any debris or dirt from the Drive Wheel axle area. Keep knurled pins well lubricated to prevent seizure. An Extra set is included!

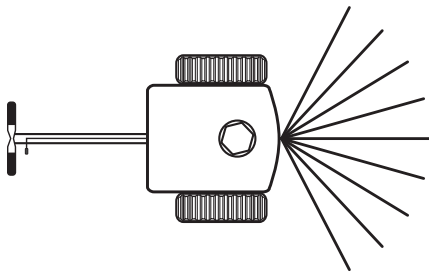


Ensure accuracy

It is important that the S25 SPRAY-PRO sprayer is pushed in a manner that keeps the spray head parallel to the ground at all times, so that the spray nozzle is constantly kept at the same correct height. Keeping the height of the nozzle constantly parallel to the ground ensures the nozzle will spray to its stipulated spray application cover. If the sprayer is pushed at a downward angle and the nozzle tip is nearer to the ground, the spray width will be reduced and over application will occur. In the reverse situation of the spray nozzle height being increased by pushing the sprayer at an upward angle the nozzle fan will be wider, the spray width will becoming inaccurate, under application will likely occur. To ensure spray width accuracy it is important that the handlebar height is set right for the individual user, and the operator is aware that the sprayer is pushed in a manner that keeps the nozzle constantly parallel with the ground. Keeping the top of the tank parallel with the ground is a good guide.

To aid accuracy use a proprietary spray dye indicator which allows the operator to see where they have sprayed. Contact your local landscape supplier for a recommendation.

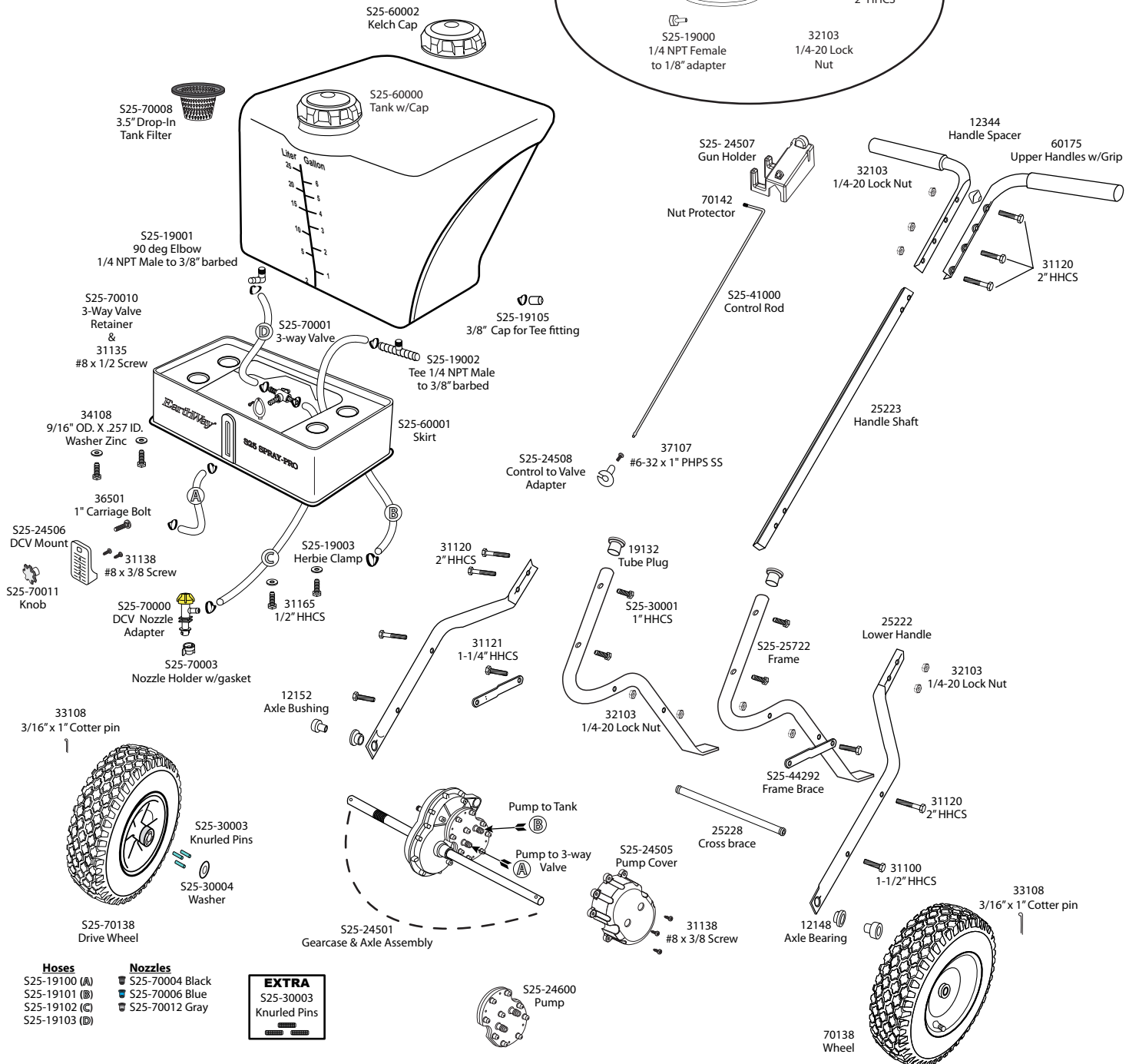




S25 SPRAY-PRO Liquid Sprayer ~ Parts List

OPTIONAL
S25-77000 Spray Gun Kit

- S25-19003 Herbie Clamp
- S25-19004 Spray Gun
- 31120 2" HHCS
- S25-19000 1/4 NPT Female to 1/8" adapter
- 32103 1/4-20 Lock Nut



- Hoses**
- S25-19100 (A)
 - S25-19101 (B)
 - S25-19102 (C)
 - S25-19103 (D)
- Nozzles**
- S25-70004 Black
 - S25-70006 Blue
 - S25-70012 Gray

